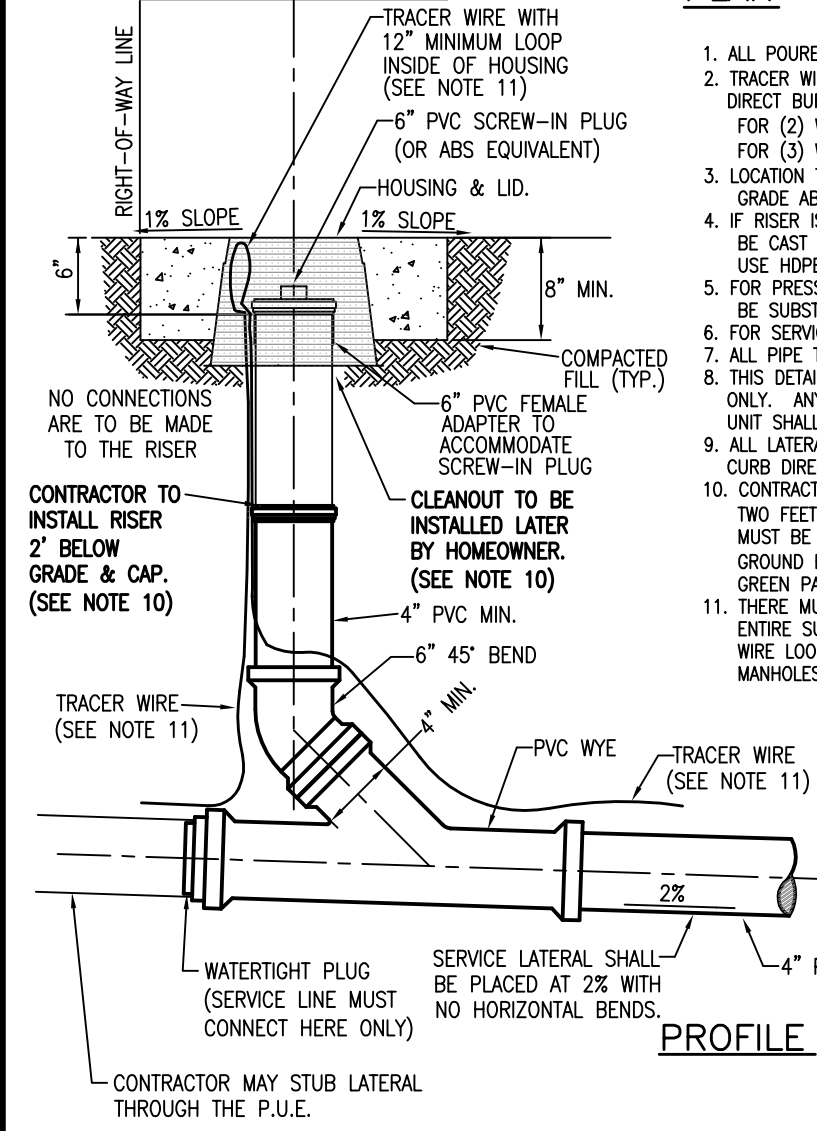


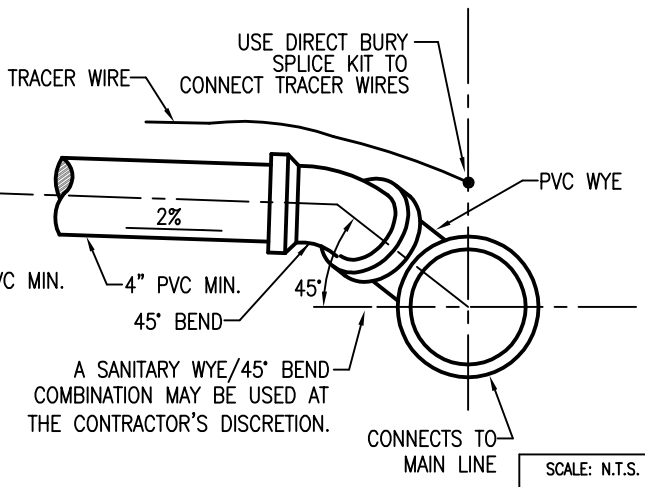
**PLAN**

**CONSTRUCTION NOTES**

1. ALL POURED-IN-PLACE CONCRETE SHALL BE CLASS 3000.
2. TRACER WIRE SHALL BE 14 AWG COPPER & SPLICES SHALL BE MADE W/ DIRECT BURY SPLICE KITS FROM 3M ELECTRICAL PRODUCTS DIVISION.  
FOR (2) WIRE SPLICING USE PART No. 054007-09053 &  
FOR (3) WIRE SPLICING USE PART No. 054007-09964.
3. LOCATION TAPE SHALL BE USED ON ALL NEW CONSTRUCTION 1' BELOW GRADE ABOVE SEWER LINE.
4. IF RISER IS IN GRAVEL, CONCRETE, OR PAVEMENT; HOUSING & LID SHALL BE CAST IRON OLYMPIC FOUNDRY INC. OR EQUAL OR CONCRETE. OTHERWISE, USE HDPE FROM CARSON INDUSTRIES.
5. FOR PRESSURE TESTING ONLY, THE PVC SCREW-IN PLUG MAY BE SUBSTITUTED FOR A MORE PRESSURE RESISTANT SEAL.
6. FOR SERVICE CONNECTION TO EXISTING MAIN SEE SSSD DWG SD-7.
7. ALL PIPE TO BE OWNED AND MAINTAINED BY SSSD.
8. THIS DETAIL IS DESIGNED FOR SERVICE TO SINGLE FAMILY RESIDENTS ONLY. ANY LATERAL THAT SERVES MORE THAN A SINGLE FAMILY UNIT SHALL BE COORDINATED WITH SSSD.
9. ALL LATERALS SHALL BE STAMPED ON THE MIDDLE OF THE TOP OF CURB DIRECTLY ABOVE THE POINT IN WHICH THE LATERAL CROSSES.
10. CONTRACTOR SHALL CAP THE VERTICAL CLEANOUT ON EACH SERVICE LATERAL TWO FEET BELOW THE FINISH GROUND SURFACE AND A 4"x4" WOOD PLANK MUST BE PLACED VERTICALLY ABOVE THE CAP TO STICK TWO FEET ABOVE THE GROUND FOR LOCATION PURPOSES. THE PLANK MUST BE MARKED 'SSSD' WITH GREEN PAINT. THE HOMEOWNER IS RESPONSIBLE FOR PUTTING IN THE CLEANOUT.
11. THERE MUST BE CONTINUITY OF TRACER WIRES THROUGHOUT THE ENTIRE SUBDIVISION SO THAT A SINGLE CONNECTION TO A TRACER WIRE LOOP WILL BE SUFFICIENT TO LOCATE ALL SEWER PIPES & MANHOLES IN THE PROPOSED SUBDIVISION.



**PROFILE**



SCALE: N.T.S.

**SOUTH SUBURBAN SANITARY DISTRICT**

Drawn By: MDR  
Adkins Consulting Engineers, Inc.  
Approved By SSSD Manager:  
**Bob McDaniel**

**SERVICE CONNECTION  
& CLEANOUT AT R.O.W.  
FOR NEW SEWER MAIN**

Date: JANUARY 2006  
Dwg. No.: **SD-6**