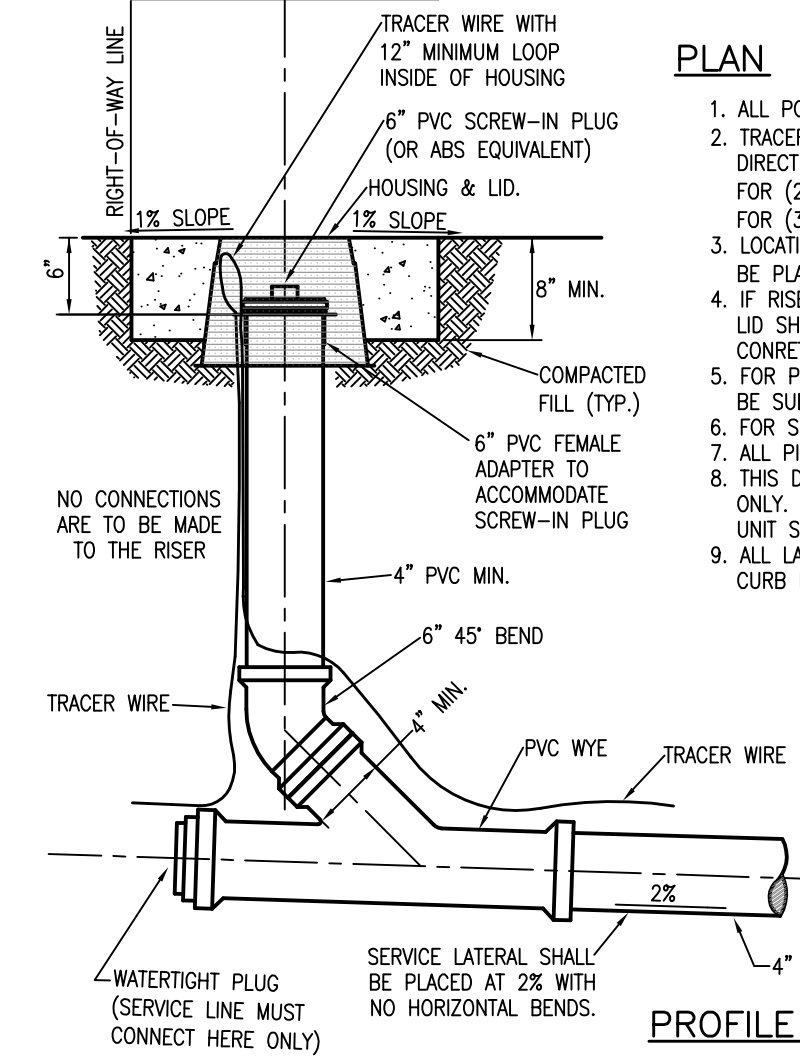
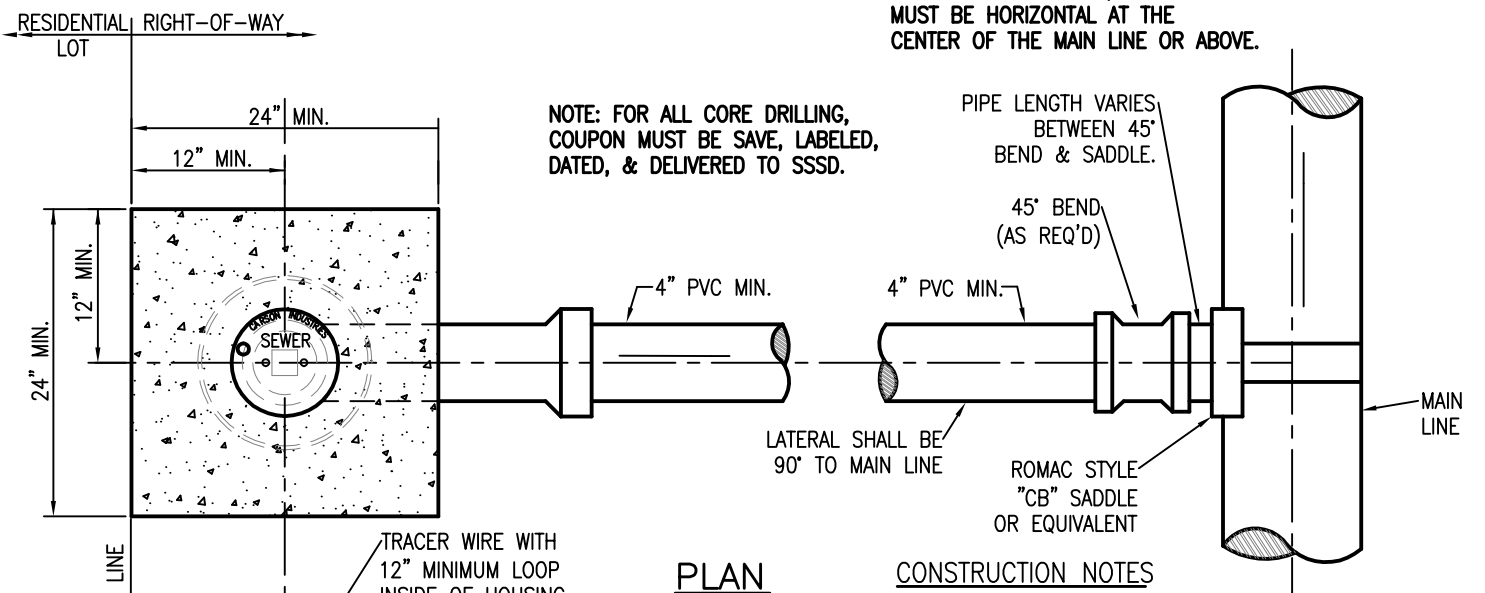
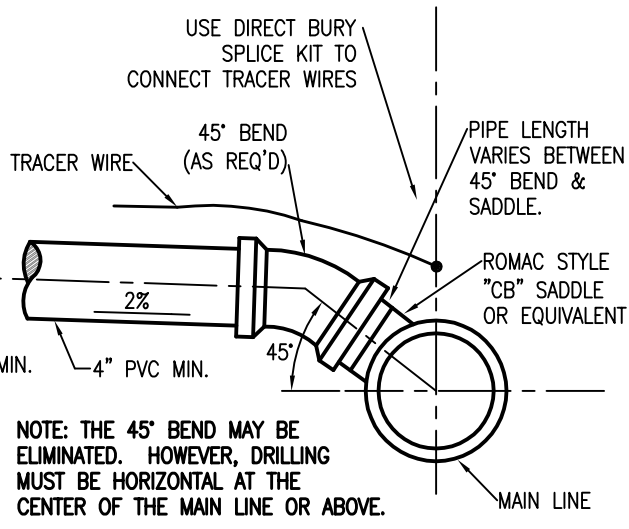


NOTE: THE 45° BEND MAY BE ELIMINATED. HOWEVER, DRILLING MUST BE HORIZONTAL AT THE CENTER OF THE MAIN LINE OR ABOVE.



1. ALL POURED-IN-PLACE CONCRETE SHALL BE CLASS 3000.
2. TRACER WIRE SHALL BE 14 AWG COPPER & SPLICES SHALL BE MADE W/ DIRECT BURY SPLICE KITS FROM 3M ELECTRICAL PRODUCTS DIVISION. FOR (2) WIRE SPLICING USE PART No. 054007-09053 & FOR (3) WIRE SPLICING USE PART No. 054007-09964.
3. LOCATION TAPE SHALL BE USED ON ALL NEW CONSTRUCTION. TAPE SHALL BE PLACED 1' BELOW GRADE DIRECTLY ABOVE THE SEWER LINE.
4. IF RISER IS IN GRAVEL, CONCRETE, OR PAVEMENT, HOUSING & LID SHALL BE CAST IRON OLYMPIC FOUNDRY INC. OR EQUAL OR CONCRETE. OTHERWISE, USE HDPE FROM CARSON INDUSTRIES.
5. FOR PRESSURE TESTING ONLY, THE PVC SCREW-IN PLUG MAY BE SUBSTITUTED FOR A MORE PRESSURE RESISTANT SEAL.
6. FOR SERVICE CONNECTION TO NEW MAIN SEE SSSD DWG SD-6.
7. ALL PIPE TO BE OWNED AND MAINTAINED BY SSSD.
8. THIS DETAIL IS DESIGNED FOR SERVICE TO SINGLE FAMILY RESIDENTS ONLY. ANY LATERAL THAT SERVES MORE THAN A SINGLE FAMILY UNIT SHALL BE COORDINATED WITH SSSD.
9. ALL LATERALS SHALL BE STAMPED ON THE MIDDLE OF THE TOP OF CURB DIRECTLY ABOVE THE POINT IN WHICH THE LATERAL CROSSES.



SCALE: N.T.S.

SOUTH SUBURBAN SANITARY DISTRICT

Drawn By: MDR
Adkins Consulting Engineers, Inc.

Approved By SSSD Manager:
Bob McDaniel

SERVICE CONNECTION & CLEANOUT AT R.O.W. FOR EXISTING MAIN

Date: APRIL 2005

Dwg. No.: **SD-7**